

RATE ANALYSIS

Date:- 20/06/2018

Providing and fixing at work site of FRP shelter elliptical dome type 15' on length side and 12' on width side at 8' height, roof made from 3mm thk FRP sheet supported using steel structure using MS sec on two pillars of MS pipe of 6" dia with 30' long 1.5 ft wide round (elliptical) bench made out of 3mm FRP supported by steel structure and railing made out of 3mm thk FRP sheet of 3' height with 3 entry opening of 4'-6' width with concealed Rain Drain Water Collection system and a news paper stand as per drawing specification including transport, loading, unloading, site installation, with all other taxes and excluding GST at site etc. complete as directed by Engineer incharge.

Item No.	Description	Qty	Rate Without GST	Unit	Amount Without GST	Remark
1	Labour Rate as per SSR 2017-18	0.00	0.00	Day	0.00	SSR 2017-18
	Total Labour				0.00	
2	Material					
	FRP shelter elliptical dome type 15' on length side and 12' on width side at 8' height, roof made from 3mm thk FRP sheet	1.00	350000 7	No.	350000.00	Market rate
3	Grand Total			No.	350000.00	
4	Rate per unit			No.	350000.00	
5	Rate is proposed for Rs.			No.	350000.00 7	

Rate is Proposed Rs.350000 /- per No. (In words Rs. Rupees Three Lakh Fifty thousand Only without GST)

Shilpi Architects And Planner.
Architects

Jr. Engineer
PCMC

De. Engineer
PCMC

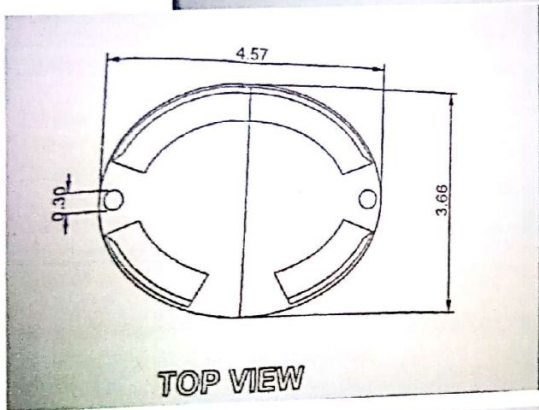
Ex. Engineer
PCMC

Final rate Approved For above Item is Rs. 350000 /- Per No. without GST

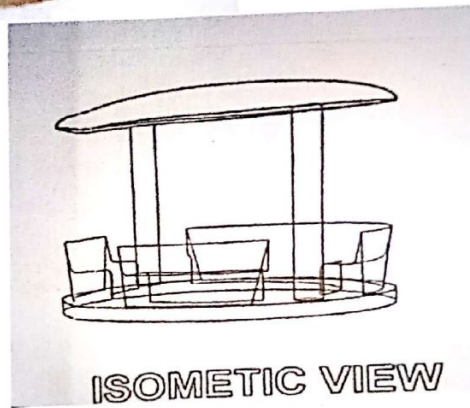
Pondal
J.E

Suby J.E. Ane
P.E

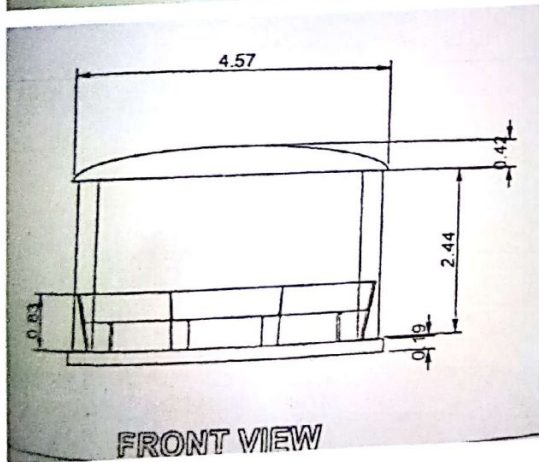
City Engineer
PCMC



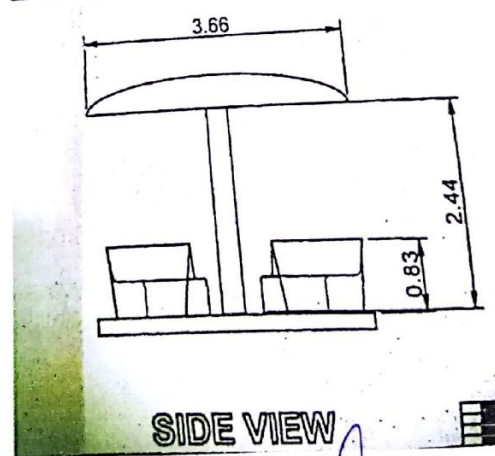
TOP VIEW



ISOMETRIC VIEW



FRONT VIEW



SIDE VIEW

FIBER REINFORCED PLASTIC SHELTER ELLIPTICAL DOME

[Signature]
Junior Engineer
Civil Garden
P. C. M. C.

[Signature]
Deputy Engineer
Civil Garden
P. C. M. C.

[Signature]
Executive Engineer
Civil Garden
Pimpri Chinchwad Municipal Corporation